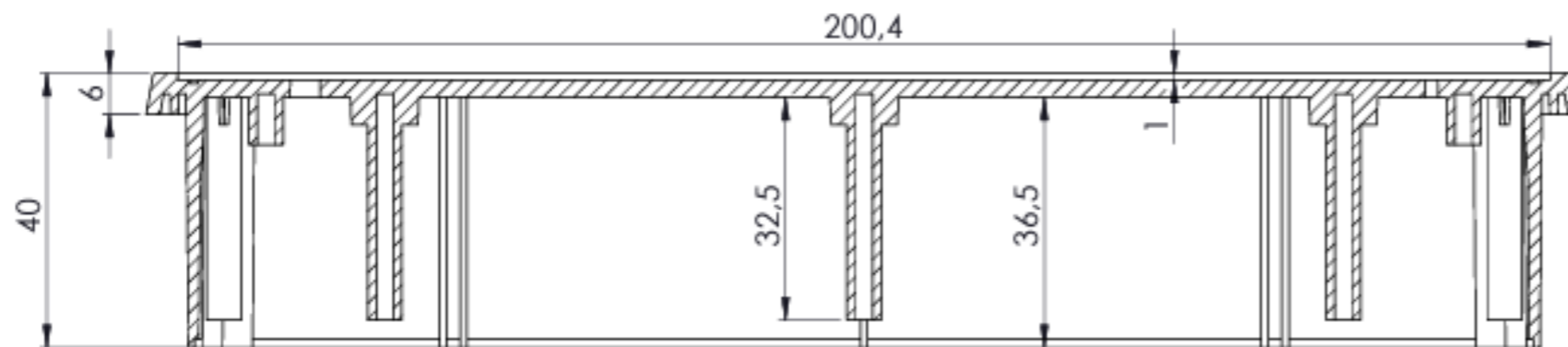


KESIT B-B

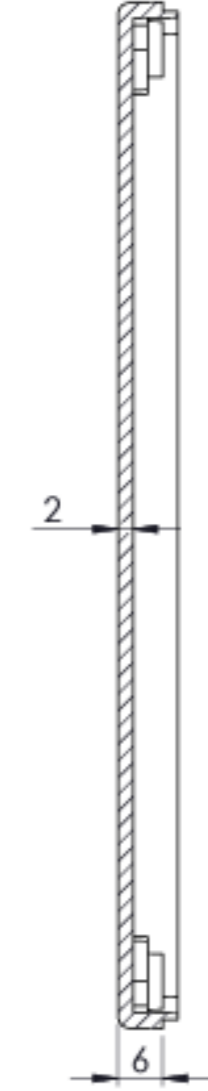
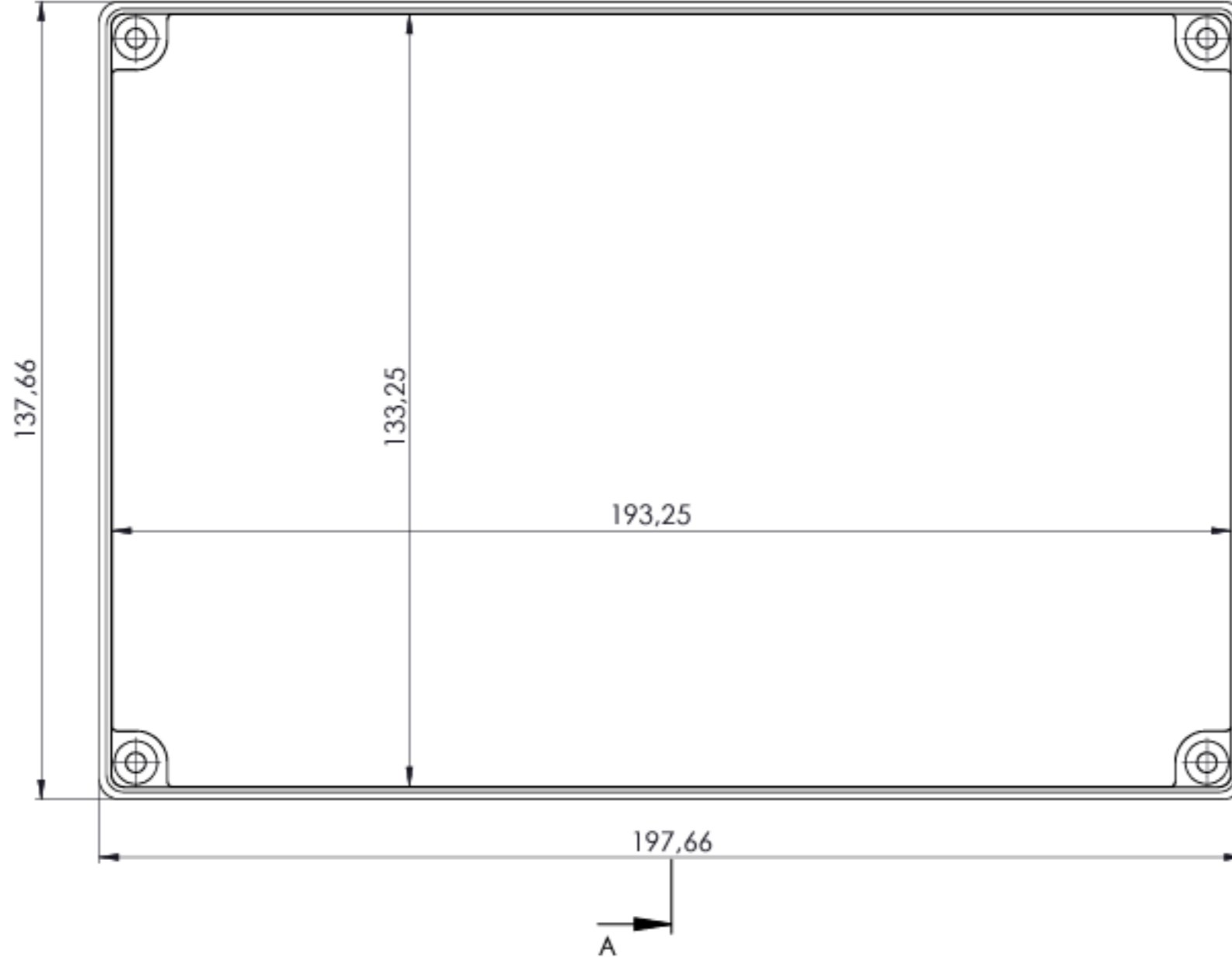


KESIT A-A

PROPRIETARY AND CONFIDENTIAL THE INFORMATION CONTAINED IN THIS DRAWING IS THE SOLE PROPERTY OF AIRHMI. REPRODUCTION IN PART OR AS A WHOLE WITHOUT THE WRITTEN PERMISSIONS OF AIRHMI IS PROHIBITED.			ARTICLE NO:	REVISION:
DRAWN: ÖMER AYGÖR CHECKED:	NAME: ÖMER AYGÖR DATE: 17.05.13	TITLE: <h2 style="text-align: center;">7" HMI PANEL PC</h2>		
COMMENTS: This drawing is subject to technical modifications without prior notice. Typographical and other errors do not justify any claims for damages. All dimensions should be verified using an actual produced part.		DWG NO:		
MATERIAL:		SCALE: 1:1		
WEIGHT:		SHEET OF		

ÇİZİM: BU RESİM YERELİN ÖZGÜN HAKKI
 HARKETİNDİR. BU ÇİZİMİN BİR KISMI
 YA DA BÜTÜNÜ BAŞKA BİR RESİMDE
 KULLANILMASI İZİNİNSİZDİR. BU ÇİZİMİN
 HATLARI İZİNİNSİZ OLARAK DEĞİŞİTİRİLMESİ
 VEYA BİR KISMI İZİNİNSİZ OLARAK
 KULLANILMASI İZİNİNSİZDİR. BU ÇİZİMİN
 KULLANILMASI İZİNİNSİZDİR. BU ÇİZİMİN
 KULLANILMASI İZİNİNSİZDİR.

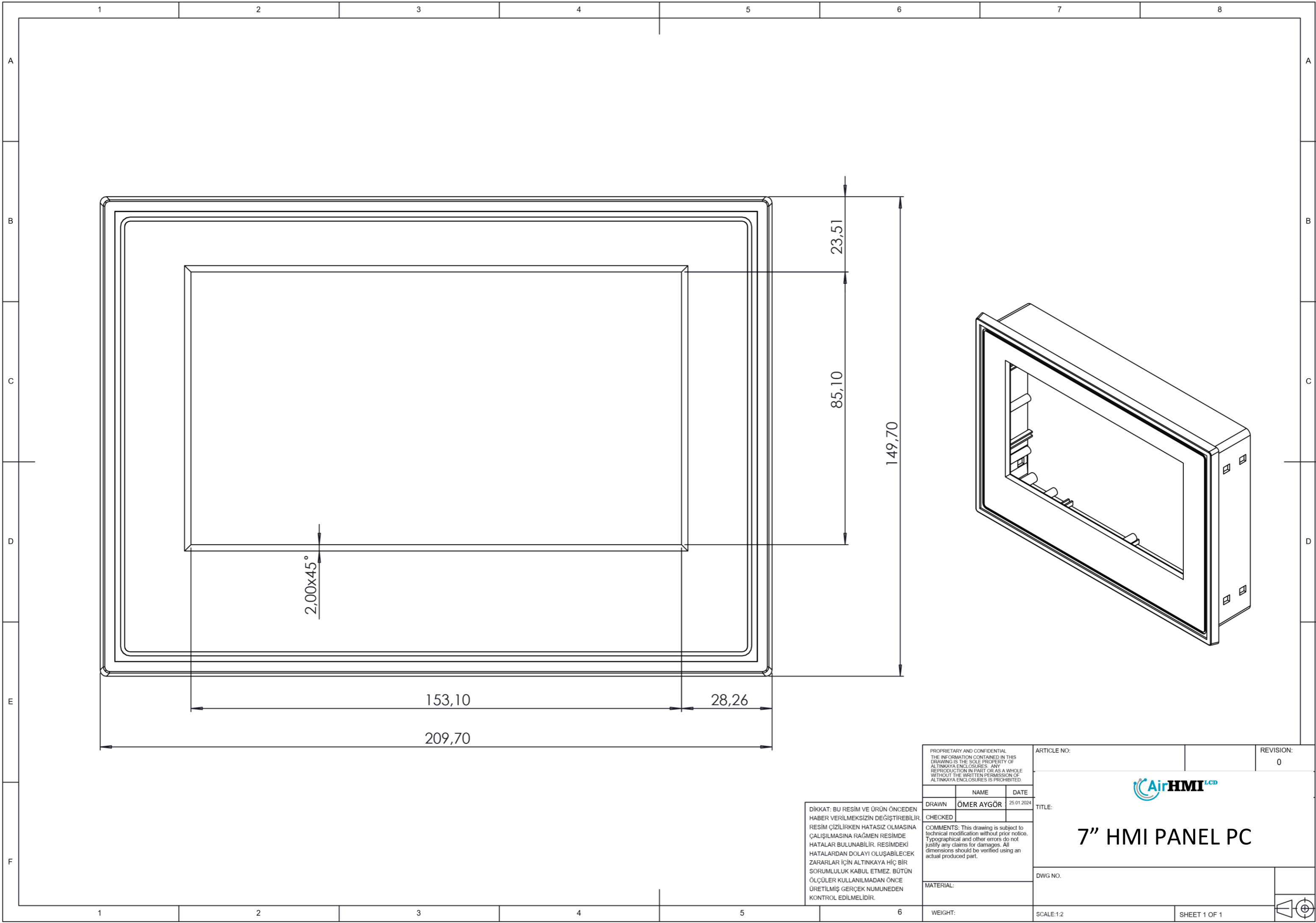




KESIT A-A

PROPRIETARY AND CONFIDENTIAL THE INFORMATION CONTAINED IN THIS DRAWING IS THE SOLE PROPERTY OF ALTINKAYA ELECTRONICS. ANY REPRODUCTION IN PART OR AS A WHOLE WITHOUT THE WRITTEN PERMISSION OF ALTINKAYA ELECTRONICS IS PROHIBITED.		ARTICLE NO:	REVISION:
DİKKAT: BU RESİM VE ÜRÜN ÖNCEDEN HAZIR VERİLMESİZİN DEĞİŞTİRİLEBİLİR. RESİM ÇİZİLMESİNE RAĞMEN RESİMDE ÇALIŞILMASINA RAĞMEN RESİMDE HATALAR BULUNABİLİR. RESİMDEKİ HATALARDAN DOLAYI OLUŞABİLECEK ZARARLAR İÇİN ALTINKAYA HİÇ BİR SORUMLULUK KABUL ETMEZ. BÜTÜN ÖLÇÜLER KULLANILMADAN ÖNCE ÜRETİLMİŞ GERÇEK NUMUNEDEN KONTROL EDİLMELİDİR.	COMMENTS: This drawing is subject to technical modification without prior notice. Typographical and other errors do not justify any claims for damages. All dimensions should be verified using an actual produced part.	TITLE: <h2 style="text-align: center;">7" HMI PANEL PC</h2>	
DRAWN: ÖMER AYGÖR CHECKED:	NAME: ÖMER AYGÖR DATE: 28.02.18	DWG NO:	A3
MATERIAL:	WEIGHT:	SCALE: 1:1	SHEET 1 OF 1





PROPRIETARY AND CONFIDENTIAL. THE INFORMATION CONTAINED IN THIS DRAWING IS THE SOLE PROPERTY OF ALTINKAYA ENCLLOSURES. ANY REPRODUCTION IN PART OR AS A WHOLE WITHOUT THE WRITTEN PERMISSION OF ALTINKAYA ENCLLOSURES IS PROHIBITED.		ARTICLE NO:	REVISION: 0
DRAWN ÖMER AYGÖR 25.01.2024		TITLE: 7" HMI PANEL PC	
CHECKED		DWG NO.	
COMMENTS: This drawing is subject to technical modification without prior notice. Typographical and other errors do not justify any claims for damages. All dimensions should be verified using an actual produced part.		SCALE:1:2	
MATERIAL:		SHEET 1 OF 1	
WEIGHT:		A	

DİKKAT: BU RESİM VE ÜRÜN ÖNCEDEN
HABER VERİLMEKSİZİN DEĞİŞTİREBİLİR.
RESİM ÇİZİLİRKEN HATASIZ OLMASINA
ÇALIŞILMASINA RAĞMEN RESİMDE
HATALAR BULUNABİLİR. RESİMDEKİ
HATALARDAN DOLAYI OLUŞABİLECEK
ZARARLAR İÇİN ALTINKAYA HiÇ BİR
SORUMLULUK KABUL ETMEZ. BÜTÜN
ÖLÇÜLER KULLANILMADAN ÖNCE
ÜRETİLMİŞ GERÇEK NUMUNEDEN
KONTROL EDİLMELİDİR.